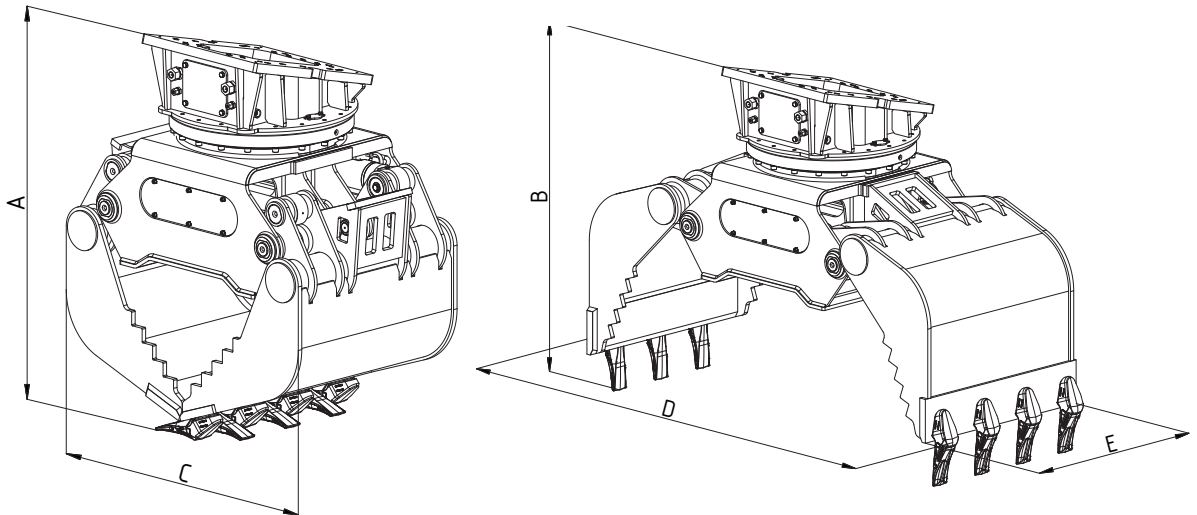


Series|MP3.5 - 6

Excavator weight class: 15 - 40 t

Universal grab



Technical data		MP3.5	MP4	MP5	MP6
Excavator weight class	t	15 – 20	16 – 22	23 – 30	29 – 40
Capacity	l	270	610	670	1025
Max. load bearing capacity of grab	t	4	6	6	8
Max. rotary motor load	t	15	20	20	30
Weight without adapter plate	kg	970	1735	1810	2330
Dimension A	mm	1425	1630	1665	1940
Dimension B	mm	1450	1640	1690	1880
Dimension C	mm	1145	1330	1330	1500
Dimension D	mm	1935	2290	2340	2730
Cutting width E	mm	660	940	1030	1030
Number of teeth	Pieces	5	7	7	7
Max. clamping force	kN	60	57	90	85
Max. grip operating pressure	bar	350	350	350	350
Max. slewing operating pressure	bar	140	140	140	140
Slewing connections		12L	12L	12L	12L
Grip connections		25S	25S	25S	25S

Note: When positioning the grab, sorting or scissor hydraulics are required. (1 circuit for positioning the grab (bucket cylinder), 1 circuit for gripping, 1 circuit for slewing)



Use: Mobile and chain excavators

Multi-use grab for a wide range of applications for handling different materials such as stone-setting tasks, sorting construction scrap, loading and sorting recycling materials, earth excavation and loading course bulk goods, loading bushes and shrubs.

Fig.: MP4

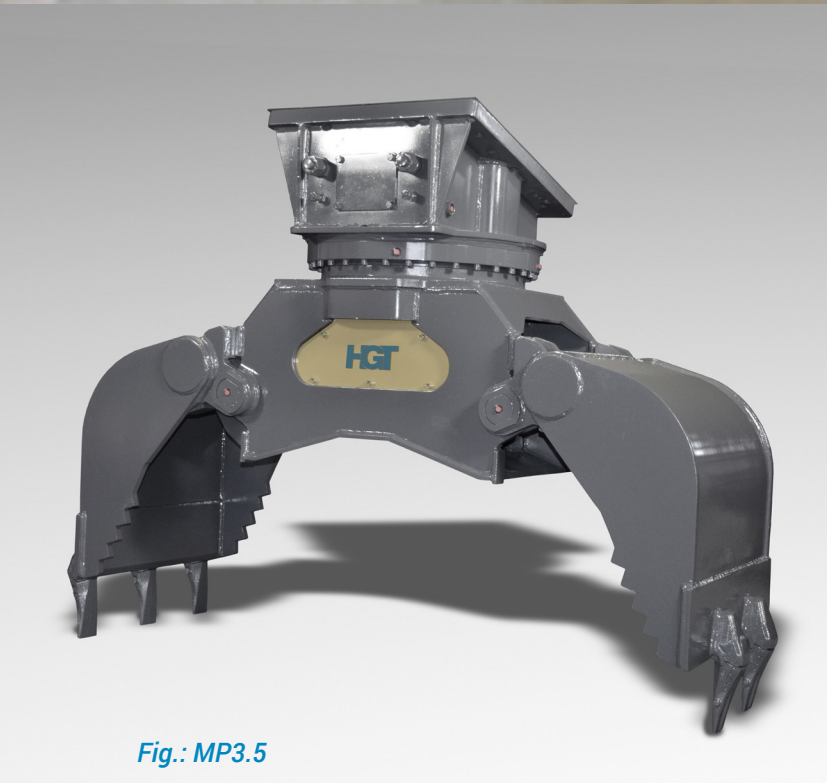


Fig.: MP3.5

Design features

- Hydraulic rotary unit with high-strength axial and radial bearings with slewing ring and rotary drive
- flat, compact design - Grip hydraulic lines and synchronized control run protected in the arm
- With end position dampening in the lifting cylinder
- Locking valves on the cylinder prevent the grip from unintentionally opening
- mechanical opening and closing stops
- Side part, floor panel and base edges of the shells made of high-strength fine-grain steel (HB 450)
- With ESCO bucket tooth system
- Hanging grab available

Available accessories and equipment

- Hose set, adapter plates and mounting for all known excavator manufacturers
- 6/2-way valve without hydraulic circuit
- Special shells according to customer specifications
- Hanging grab available
- Additional special equipment upon request